

GRAND DOG KENNEL

ASSEMBLY GUIDE



Welcome!

Congratulations on becoming an owner of a premium Somerzby product! We hope it brings you and your pet/s many years of enjoyment and contentment.

When your flat pack arrives, please check all items for any damage that might have occurred in transit.



02 4340 4200

info@somerby.com.au

What you will need











You'll need a battery-powered screwdriver or drill with a Phillips head bit, as well as a flat, level surface to ensure proper alignment of all doors during assembly.

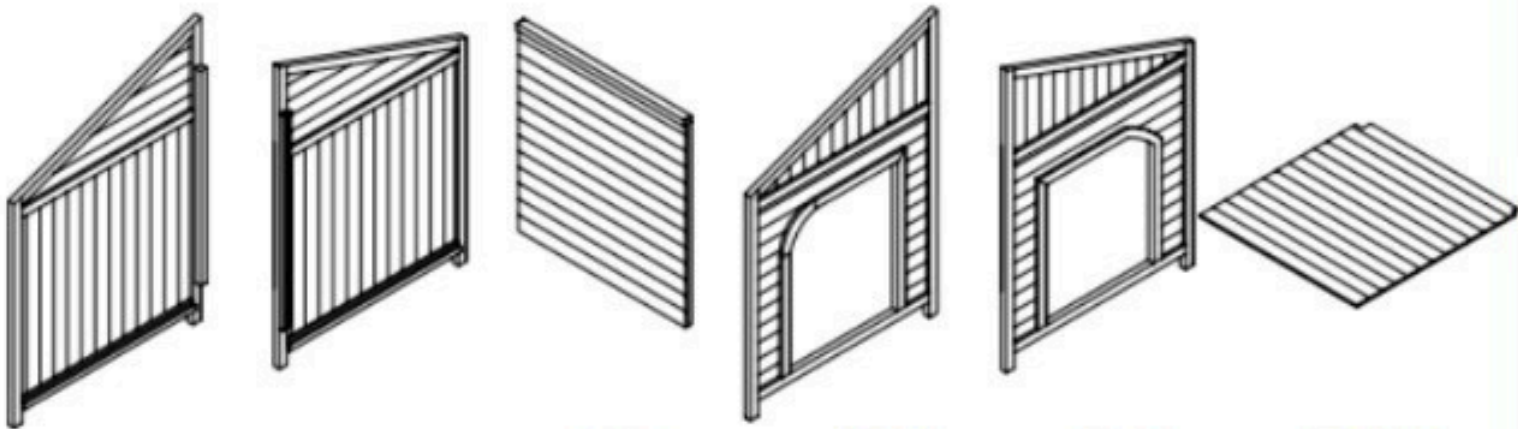
Important Things To Note



1. The instructions and screws can be found in carton #1.
2. A strong smell may be present when opening. This is the natural timber scent and is not harmful to humans or animals. It will fade over time, especially when placed outdoors.
3. When joining two panels, the 1st panel has a guide hole to show where the screw goes. The 2nd panel does not have a predrilled hole. The screw goes directly into the solid timber and forms a tighter join.
4. You may notice a shiny or powdery residue on the panels; this is crystallised sap from the natural wood-drying process. It's completely safe for pets and people and can be wiped off or left as is.

Check list

P1	 6×70mm	6pcs	P5	 3×20mm	6pcs+1 spare
P2	 6×60mm	8pcs	P6	 3×16mm	28pcs+1 spare
P3	 3.5×40mm	4pcs+1 spare	P7		4pcs
P4	 3.5×25mm	14pcs+1 spare	P8		12pcs



Ⓐ X1

Ⓑ X1

Ⓒ X2

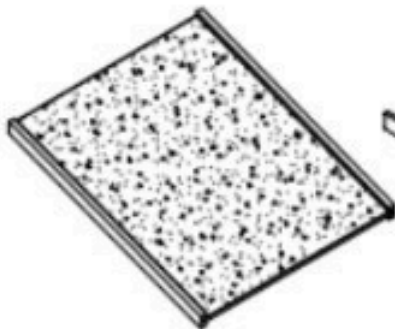
Ⓓ X1

Ⓔ X1

Ⓕ X2



Ⓖ X1



Ⓗ X2



Ⓘ X2



Ⓙ X1



Ⓚ X2



Ⓛ X2

How to Assemble the Grand Kennel Step 1

PARTS

Parts required for step 1

A, B, D, E

Screws:

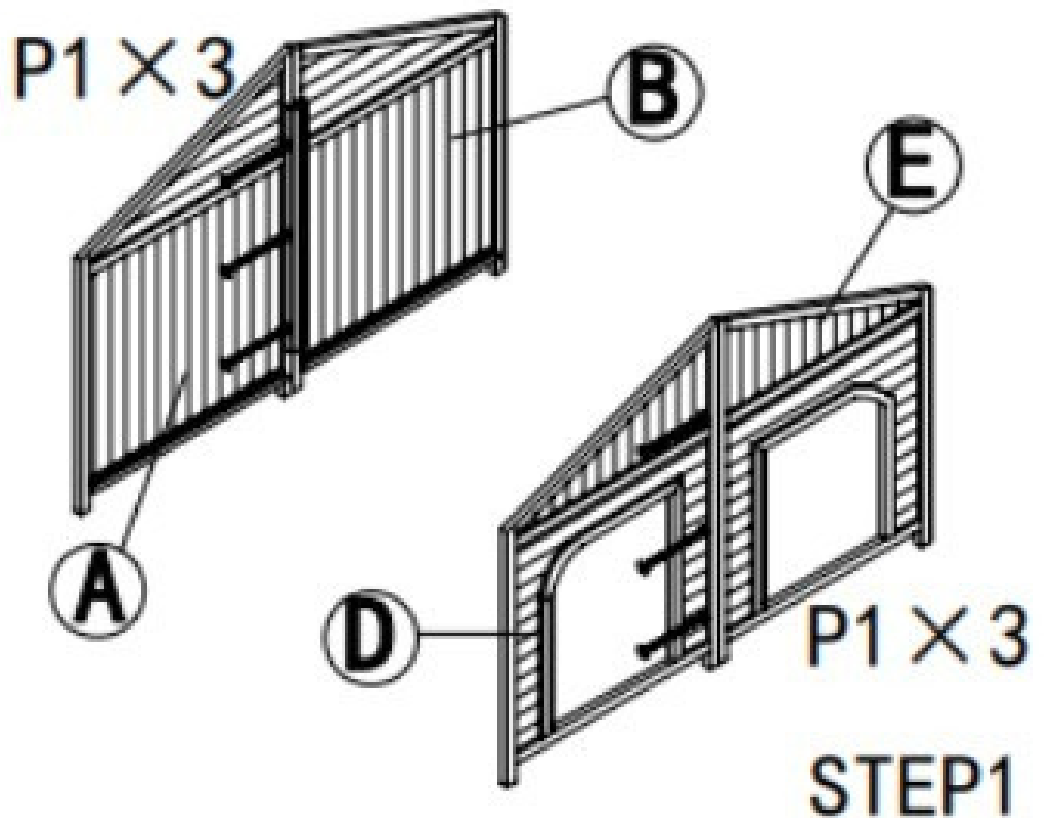
P1 x 6

Attach A To B

Align parts A and B as shown. Locate the pre-drilled holes and use nut and bolt P1 x 3 to tightly secure.

Attach D To E

Align parts D and E as shown. Locate the pre-drilled holes and use nut and bolt P1 x 3 to tightly secure.



How to Assemble the Grand Kennel Step 2

PARTS

Parts required for step 2

C x 2

Screws:

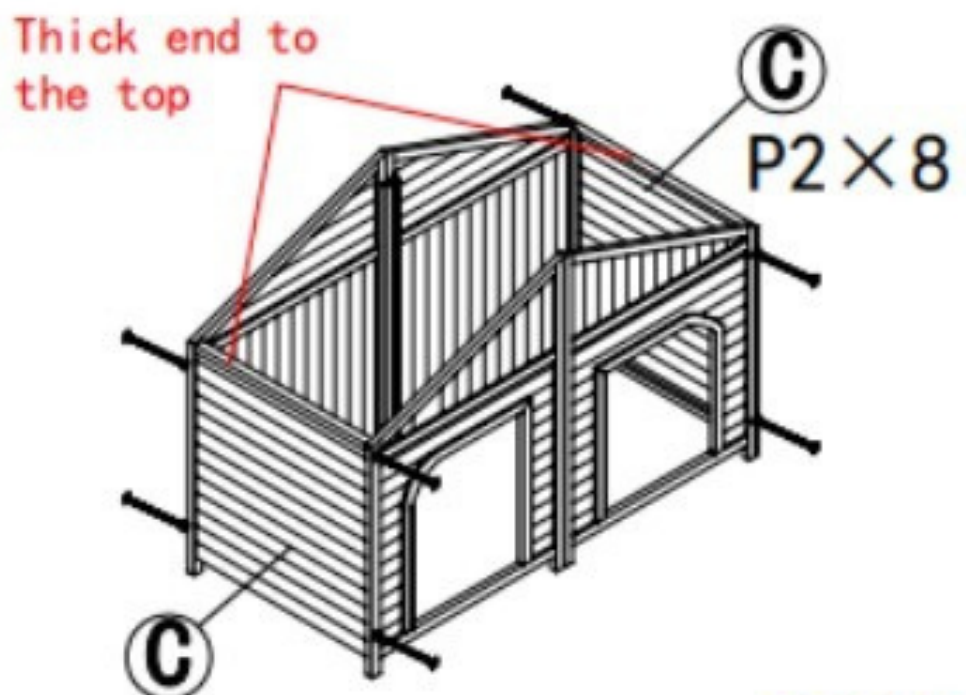
P2 x 8

Attach The Sides

Place panel C between the front and back panels as shown, ensuring the thicker end is at the top.

Locate the pre-drilled holes on the back panel, then use nut and bolt P2 x 2 to attach.

Repeat on the opposite side.



STEP2

How to Assemble the Grand Kennel Step 3

PARTS

Parts required for step 3

F x 2, L x 2, P8 x 4

Screws:

P3 x 4, P4 x 8

Attach The Floor Supports

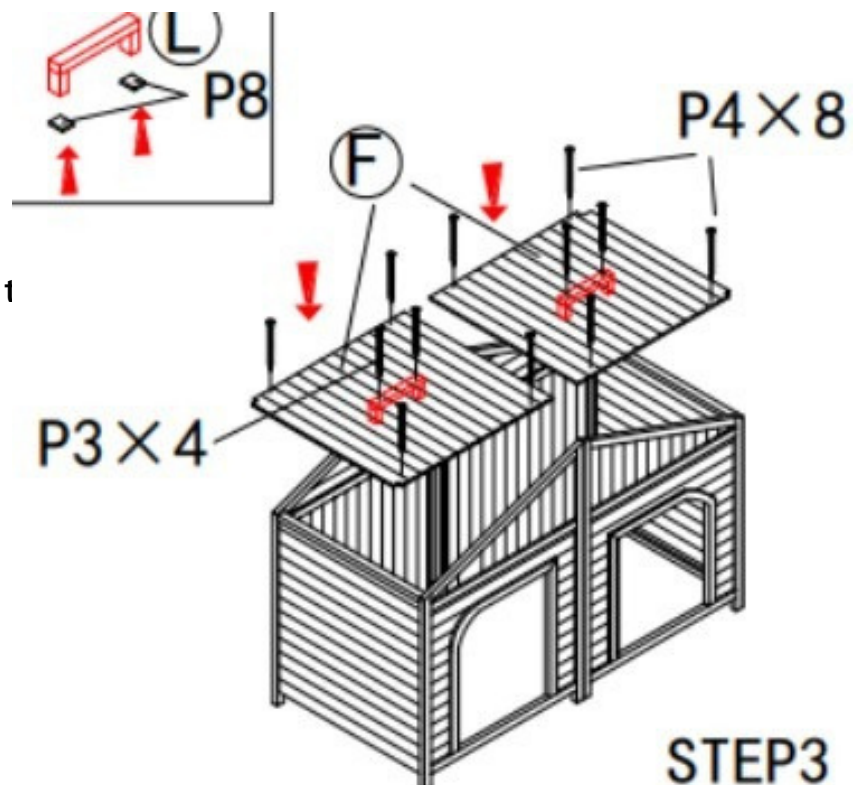
Peel and stick foam pieces P8 x 4 on the bottom square feet section of L x 2.

Locate the pre-drilled holes on floor panel F. Position part L underneath the floor panel, aligning it with the holes. Secure part L to F using P3 x 2.

Repeat this process for the second floor panel F.

Next, place the floor panels inside the kennel, taking note of the corner cutouts.

Locate the pre-drilled holes towards 1 corners of the floor panels, then use screws P4 x 8 to secure to the kennel ledges.



STEP3

How to Assemble the Grand Kennel Step 4

PARTS

Parts required for step 4

K x 2, P8 x 8

Screws:

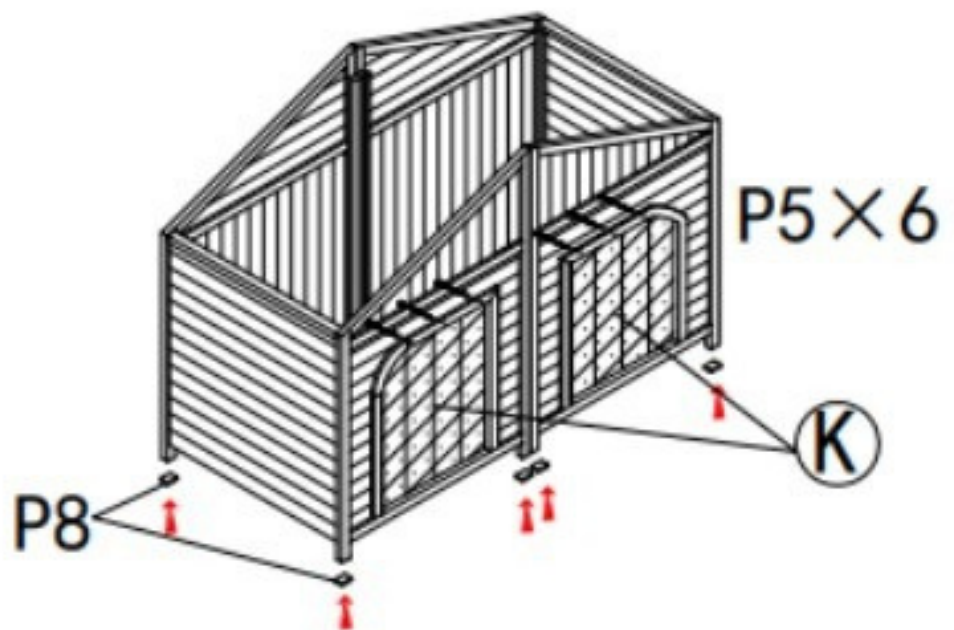
P5 x 6

Attach The Door Flaps

Position part K along the upper edge of the door frame on the interior side, ensuring it is centered.

Locate the predrilled holes and use P5 x 3 to attach.

Repeat on opposite door frame.



STEP4

How to Assemble the Grand Kennel Step 5

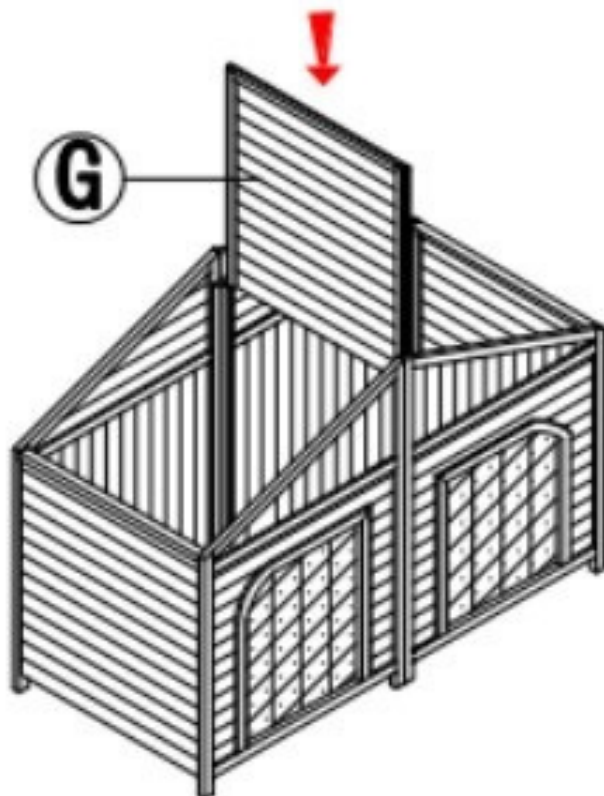
PARTS

Parts required for step 5

G

Place The Divider In

Slide divider panel G into the guide slots located on the front and back panels, as shown.



STEP5

How to Assemble the Grand Kennel Step 6

PARTS

Parts required for step 6

H x 1, I x 2, P7 x 2

Screws:

P4 x 4, P6 x 14

Attach The Middle Braces

Place part I at the top middle section of the kennel as shown. Secure to the outside of the thick vertical timber beams through the pre-drilled holes using screw P4 x 2. Repeat on the opposite side with the other part I

Attach The Roof

Align roof panel H on top of the kennel, making sure it is centred and the back hinges are evenly aligned.

Use screws P6 x 6 to secure the pre-attached hinges to the top edge of the kennel.

Attach The Arm Hinges

Locate the left and right hinges. Ensuring the thick central joint faces away from the wall. Position the flat end onto the plywood block on the roof and secure with Screws P6 x 2. Align the other end flush against the side wall over the small pre-drilled holes and attach with Screws P6 x 2.

How to Assemble the Grand Kennel Step 6 - Continued

PARTS

Parts required for step 6

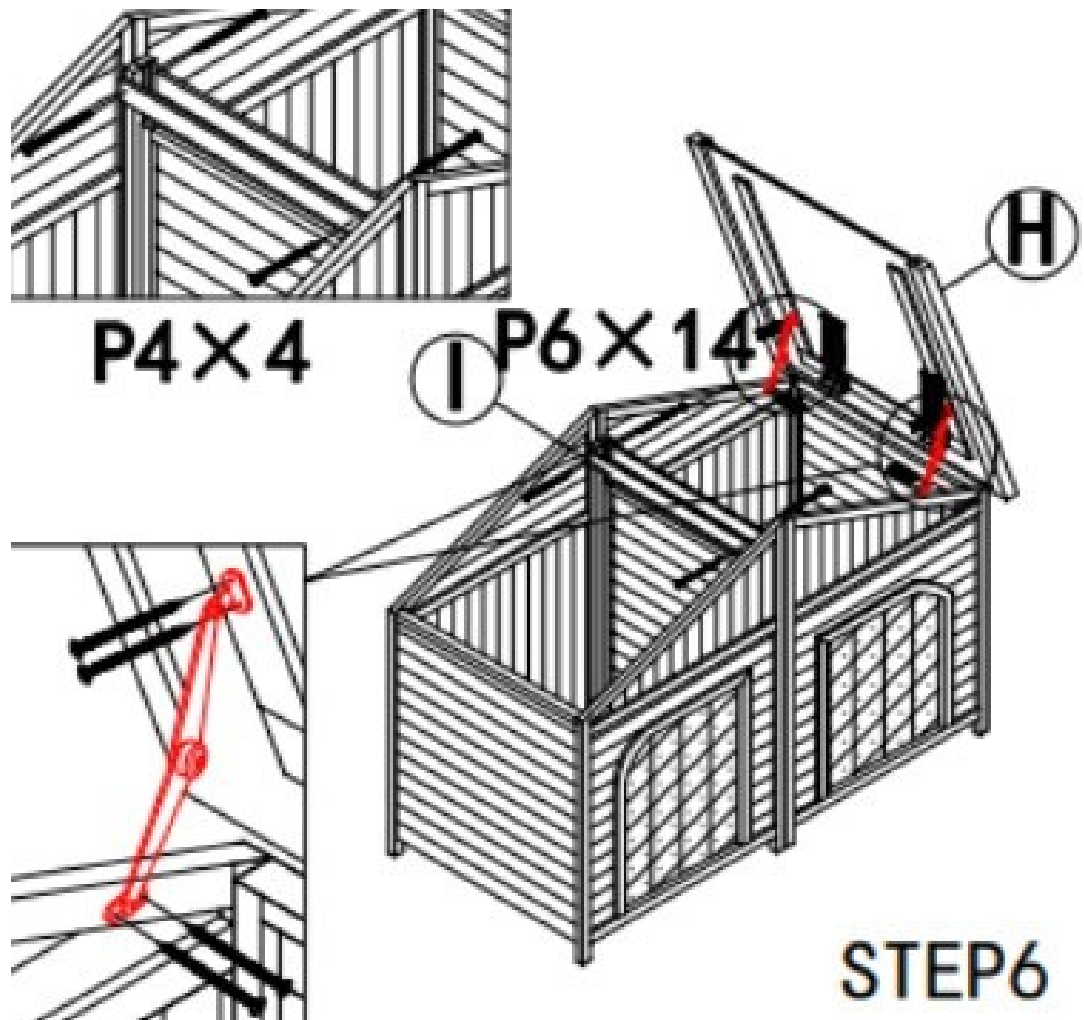
H x 1, I x 2, P7 x 2

Screws:

P4 x 4, P6 x 14

Close The Roof

Before closing the roof, ensure the arm hinges are 'unlocked' in the middle joint to prevent excess strain on the kennel and avoid potential damage.



How to Assemble the Grand Kennel Step 7

PARTS

Parts required for step 7

H x 1, P7 x 2

Screws:

P6 x 14

Attach The Second Roof Panel

Align the second roof panel H on top of the kennel, making sure it is centered and the back hinges are evenly aligned.

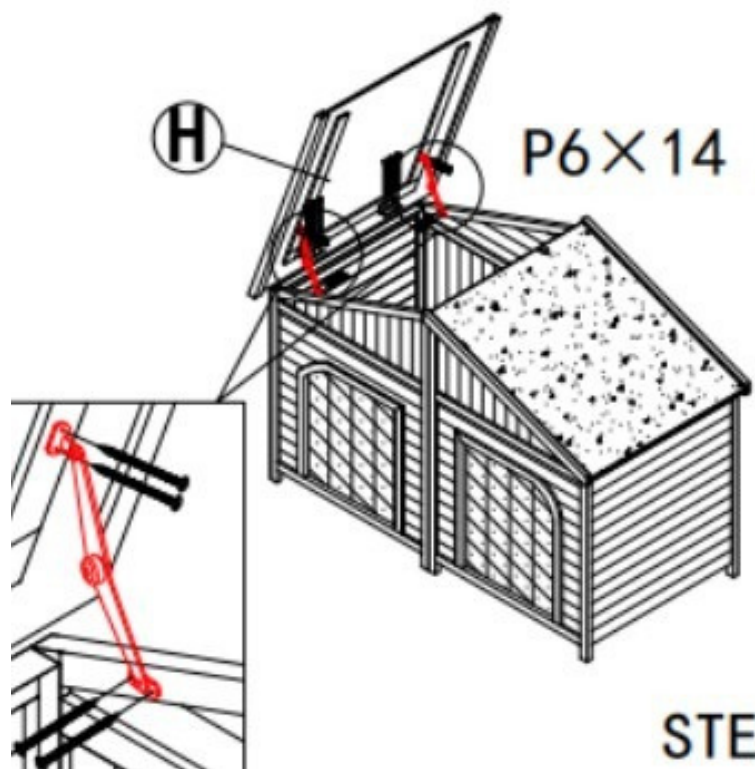
Use screws P6 x 6 to secure the pre-attached hinges to the top edge of the kennel.

Attach The Arm Hinges

Locate the left and right hinges. Ensuring the thick central joint faces away from the wall. Position the flat end onto the plywood block on the roof and secure with Screws P6 x 2. Align the other end flush against the side wall over the small pre-drilled holes and attach with Screws P6 x 2.

Close The Roof

Before closing the roof, ensure the arm hinges are 'unlocked' in the middle joint to prevent excess strain on the kennel and avoid potential damage.



STEP7

How to Assemble the Grand Kennel Step FINISH

PARTS

Parts required for step FINISH

J

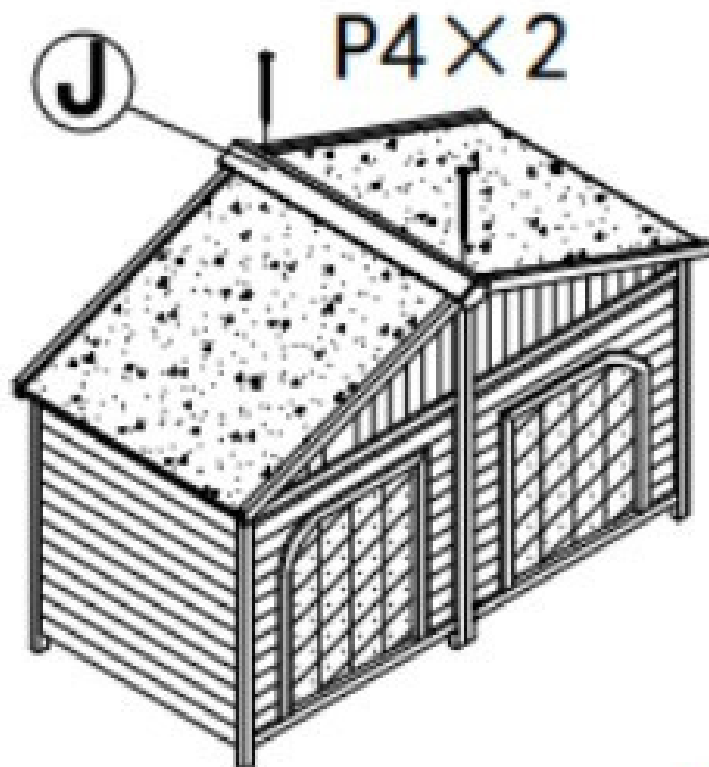
Screws:

P4 x 2

Attach The Roof Cap:

Align part J over the roof panel join as shown.

Use P4 x 2 to attach part J to one roof panel using the pre-drilled holes.



FINISH



FAQ

Frequently asked questions

Contact Information

Phone: 02 4340 4200

Email: info@somerzby.com.au

Customer Service Office Hours

Monday – Thursday: 9:00am – 4:30pm

Friday: 9:00am – 4:00pm

Saturday & Sunday: Closed

Public holidays: Closed

www.somerzby.com.au

#somerzby

