

DUPLEX DOG KENNEL

ASSEMBLY GUIDE



Welcome!

Congratulations on becoming an owner of a premium Somerzby product! We hope it brings you and your pet/s many years of enjoyment and contentment.

When your flat pack arrives, please check all items for any damage that might have occurred in transit.



02 4340 4200

info@somerby.com.au

What you will need





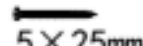

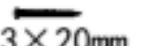

You'll need a battery-powered screwdriver or drill with a Phillips head bit, as well as a flat, level surface to ensure proper alignment of all doors during assembly.




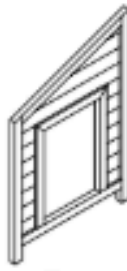
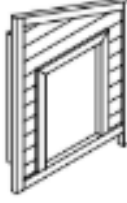
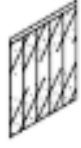

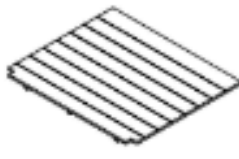

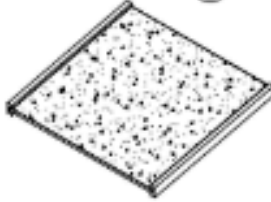

Important Things To Note

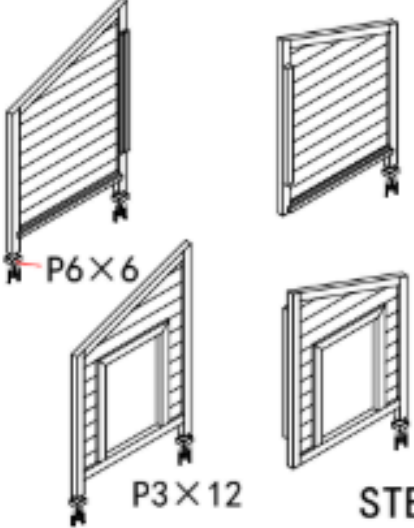
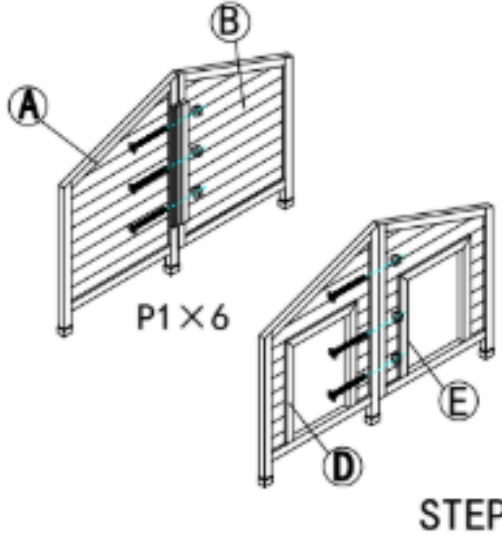


1. The instructions and screws can be found in carton #1.
2. A strong smell may be present when opening. This is the natural timber scent and is not harmful to humans or animals. It will fade over time, especially when placed outdoors.
3. When joining two panels, the 1st panel has a guide hole to show where the screw goes. The 2nd panel does not have a predrilled hole. The screw goes directly into the solid timber and forms a tighter join.
4. You may notice a shiny or powdery residue on the panels; this is crystallised sap from the natural wood-drying process. It's completely safe for pets and people and can be wiped off or left as is.

Check list

P1	 6×70mm	14pcs	P4	 3×14mm	20pcs+1spare
P2	 3.5×25mm	12pcs+1spare	P5		2pcs
P3	 3×20mm	18pcs+1spare	P6		6pcs

 A X1	 B X1	 C X2	 D X1
 E X1	 F X2	 G X1	 I X2
 J X1	 K X2	 L X1	

 P6×6 P3×12 STEP1	 A, B, P1×6, D, E STEP2
---	---

How to Assemble the Duplex Step 1

PARTS

Parts required for step 1

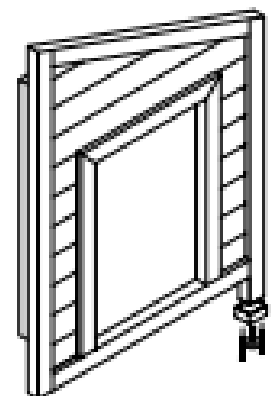
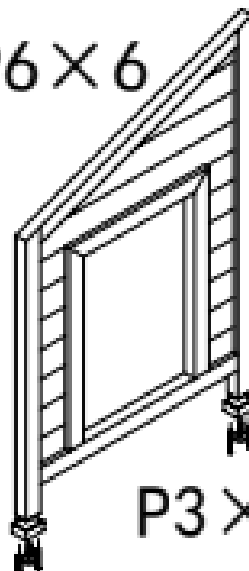
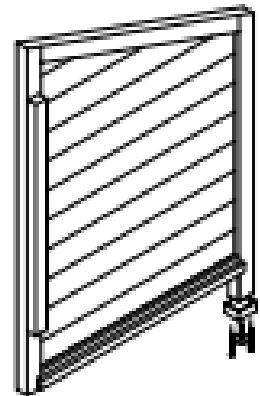
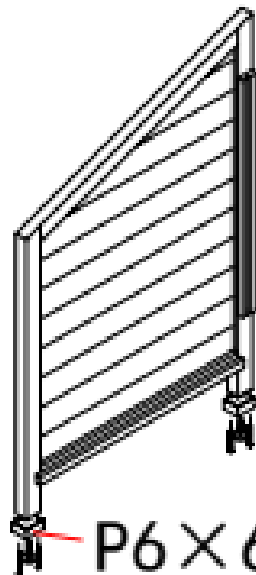
A, B, D, E, P6 x 6

Screws required for step 1

P3 x 12

Attach The Feet:

Attach P6 x 6 to all feet on panels A, B, D & E. Use screws P3 x 12 to attach through the holes.



STEP 1

How to Assemble the Duplex Step 2

PARTS

Parts required for step 2

A, B, D, E

Screws required for step 2

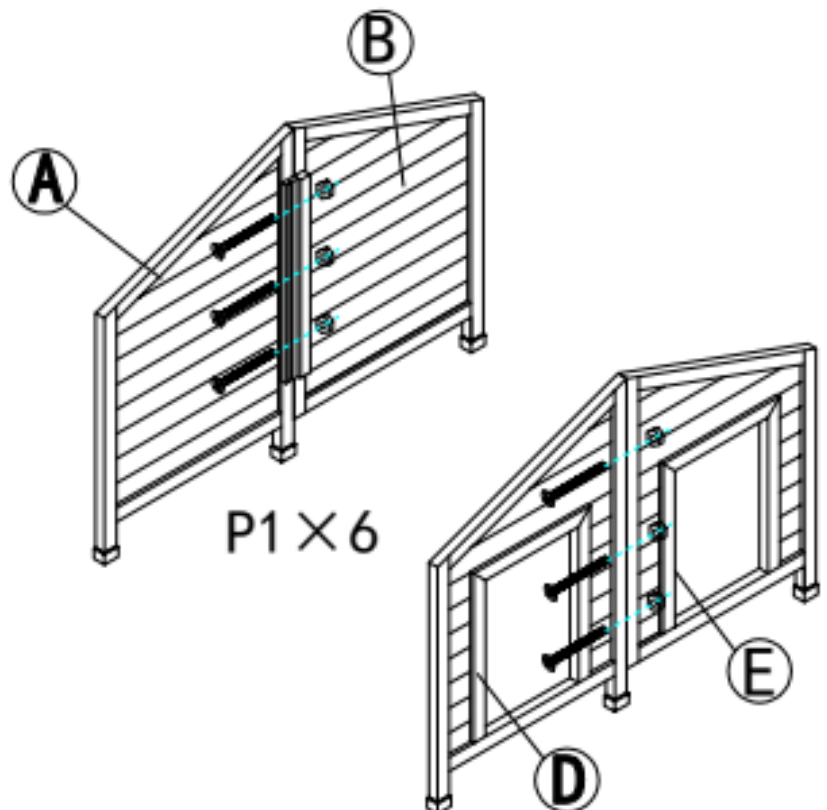
P1 x 6

Attach A To B:

Align parts A and B as shown. Locate the predrilled holes and use nut and bolt P1 x 3 to tightly secure.

Attach D To E:

Align parts D and E as shown. Locate the predrilled holes and use nut and bolt P1 x 3 to tightly secure.



STEP2

How to Assemble the Duplex Step 3

PARTS

Parts required for step 3

C x 2

Screws required for step 3

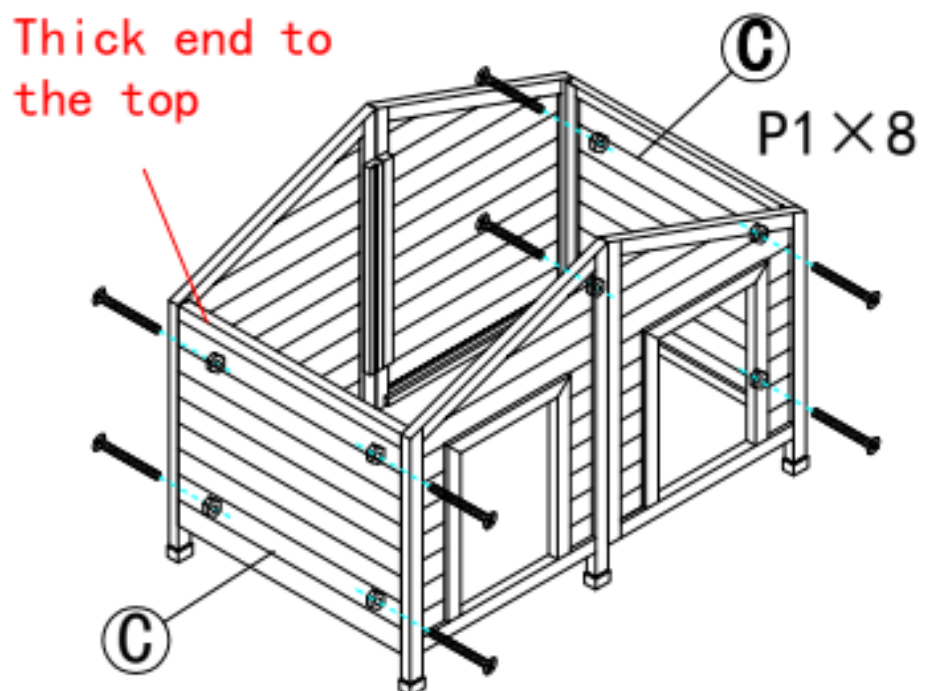
P1 x 8

Attach The Sides:

Place panel C between the front and back panels as shown, ensuring the thicker end is at the top. Locate the predrilled holes on the back panel, then use nut and bolt P1 x 2 to attach.

Locate the pre-drilled holes on the front panel and use P1 x 2 to attach.

Repeat on the opposite side.



STEP3

How to Assemble the Den Step 4

PARTS

Parts required for step 4

F x 2, I x 2

Screws required for step 4

P3 x 6, P2 x 8

Insert The Floor Panels:

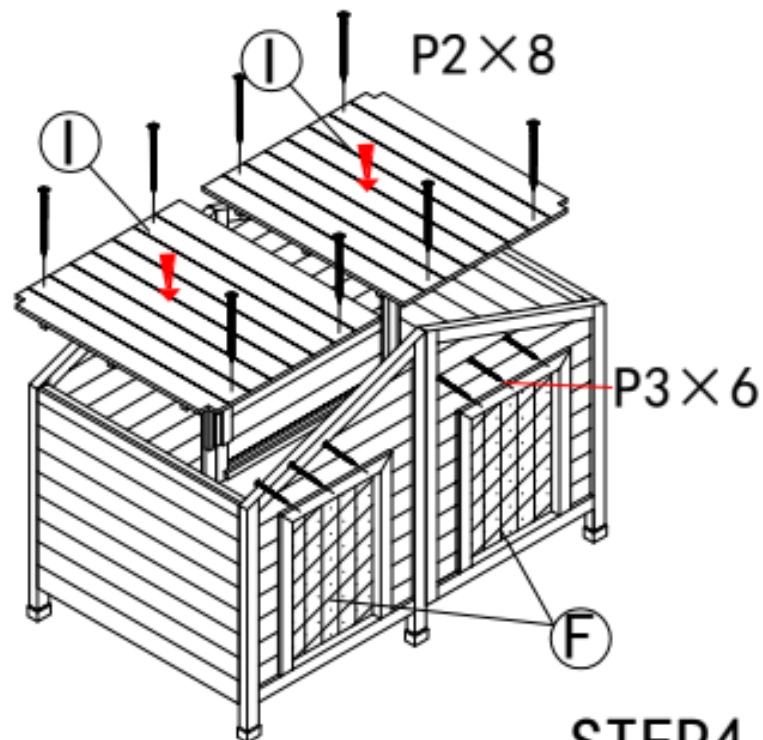
Place the floor panels inside the kennel, taking note of the corner cutouts.

Locate the pre-drilled holes towards the corners of the floor panels, then use screws P2 x 8 to secure them to the kennel ledges.

Attach The Door Flaps:

Position part F along the upper edge of the door frame on the interior side, ensuring it is centered. Locate the predrilled holes and use P3 x 3 to attach.

Repeat on the opposite door frame.



How to Assemble the Duplex Step 5

PARTS

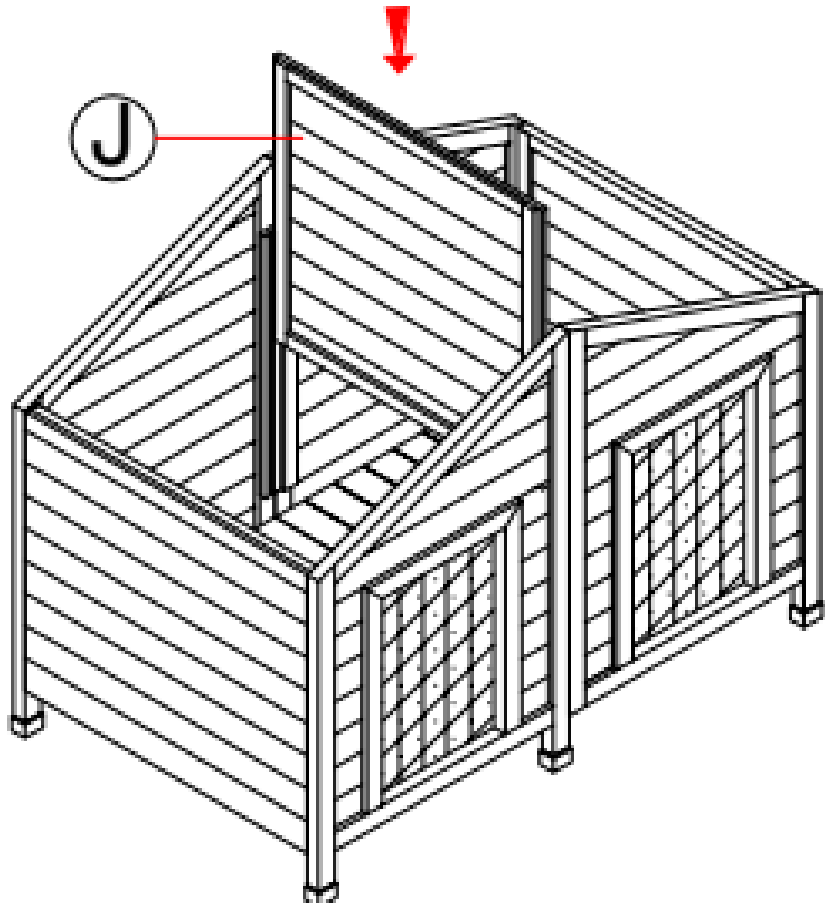
Parts required for step 5

J

Place The Divider In:

Slide divider panel J into the guide slots located on the front and back panels, as shown.

Note: This divider panel is optional and can be left out if you prefer an open kennel space instead of two separate areas.



How to Assemble the Duplex Step 6

PARTS

Parts required for step 6

G, K x 1, P5 x 1

Screws required for step 6

P2 x 2, P4 x 10

Attach The Middle Brace:

Place part G at the top middle section of the kennel as shown. Secure to the outside of the thick vertical timber beams through the predrilled holes using screw P2 x 2.

Attach The Roof:

Align roof panel K on top of one side of the kennel.

Use screws P4 x 6 to secure the pre-attached hinges to the top edge of the kennel.

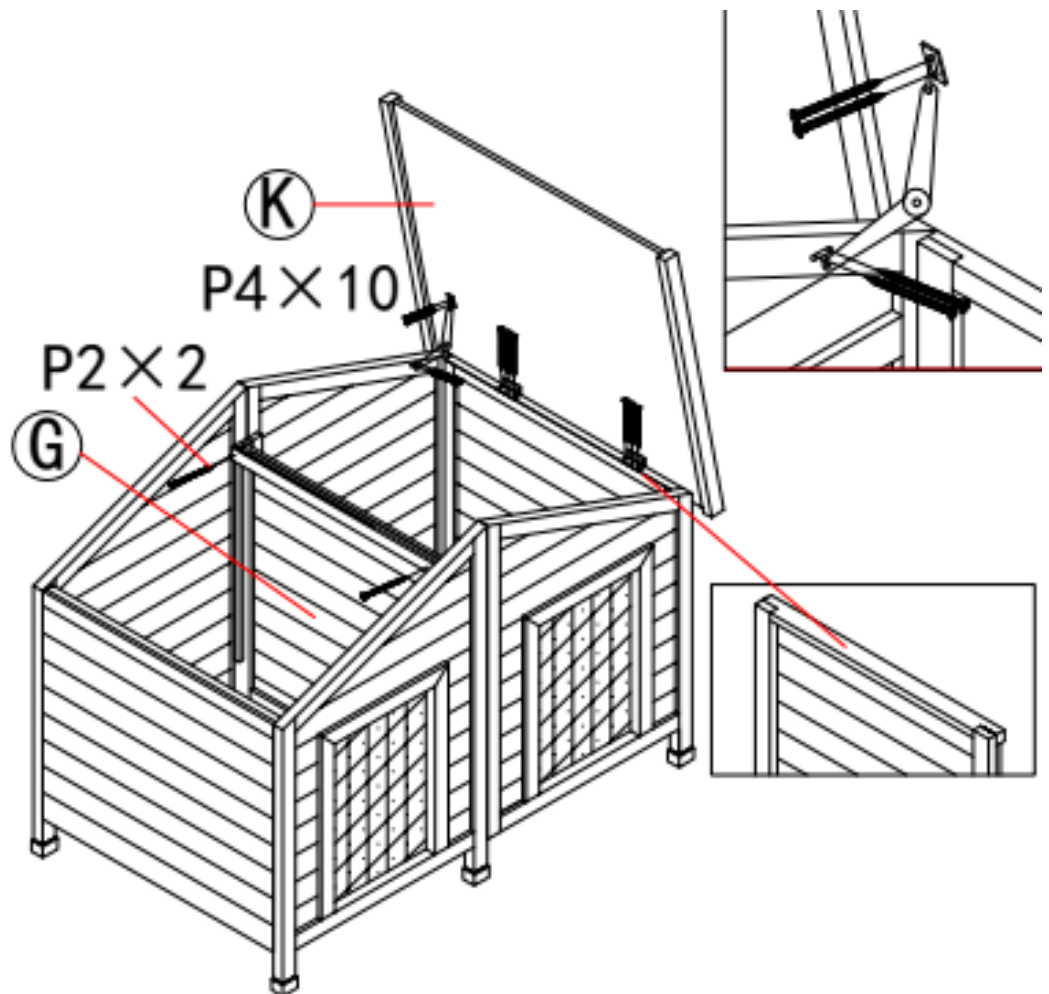
Attach The Arm Hinge:

Locate the left and right hinges, ensuring the thick central join faces away from the wall. Position the flat end onto the plywood block on the roof and secure with screws P4 x 2. Align the other end flush against the wall over the small pre-drilled holes and attach with Screws P4 x 2.

How to Assemble the Duplex Step 6- Continued

Close The Roof:

Before closing the roof, ensure the arm hinges are 'unlocked' in the middle round joint to prevent excess strain on the kennel and avoid potential damage.



STEP6

How to Assemble the Duplex Step 7

PARTS

Parts required for step 7

K x 1, P5 x 1

Screws required for step 7

P4 x 10

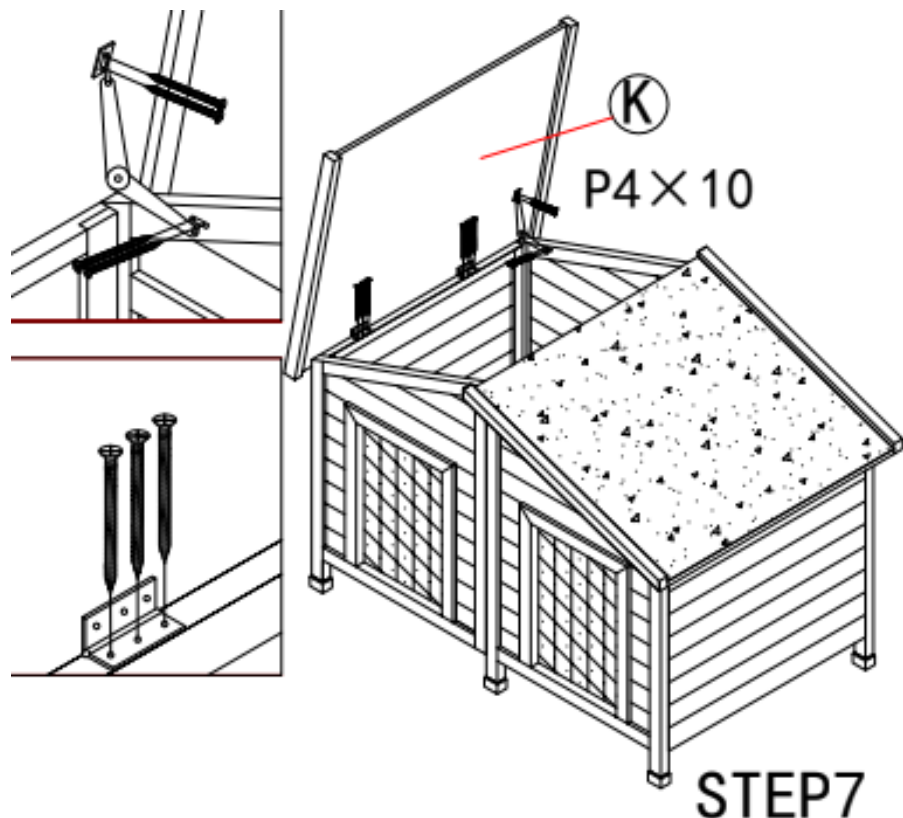
Finish The Roof:

Align roof panel K on top of the other side of the kennel.

Use screws P4 x 6 to secure the pre-attached hinges to the top edge of the kennel.

Attach The Arm Hinge:

Locate the left and right hinges, ensuring the thick central joint faces away from the wall. Position the flat end onto the plywood block on the roof and secure with Screws P4 x 2. Align the other end flush against the wall over the small predrilled holes and attach with screws P4 x 2.



STEP 7

How to Assemble the Duplex Step FINISH

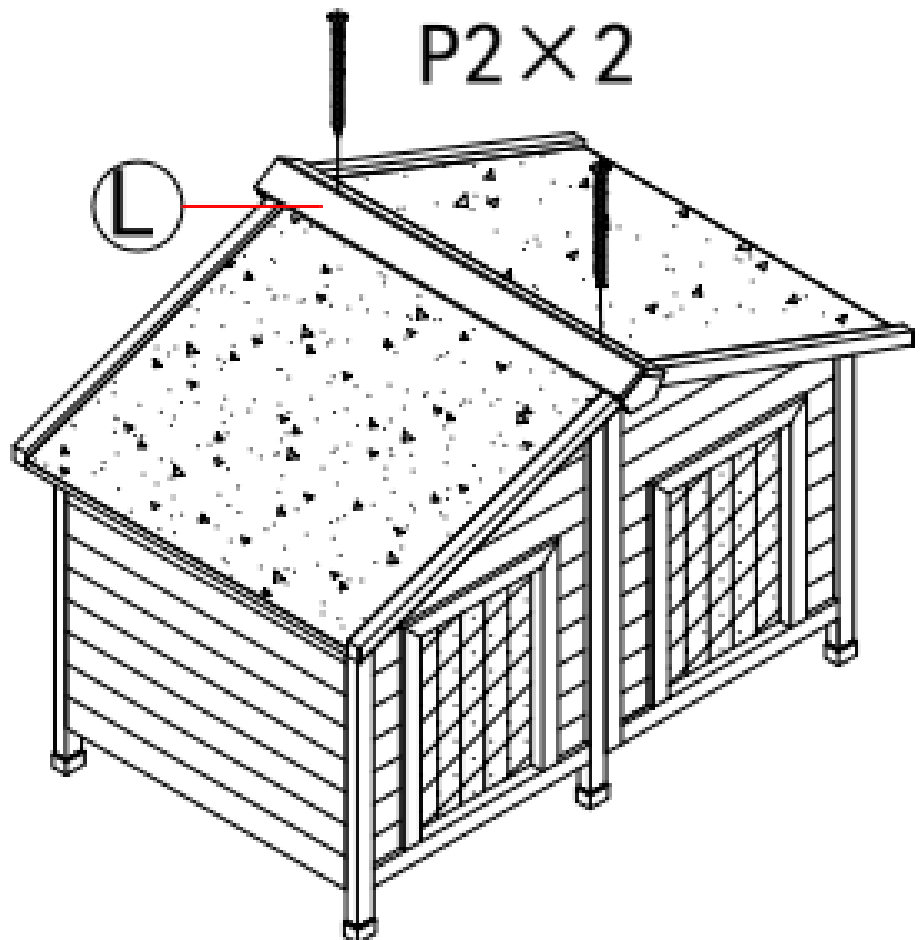
PARTS

- Parts required for step FINISH
- L
- Screws required for step FINISH
- P2 x 2

Attach The Roof Cap:

Align part L over the roof panel join as shown.

Use P2 x 2 to attach part L to one roof panel using the pre-drilled holes.



FINISH



FAQ

Frequently asked questions

Contact Information

Phone: 02 4340 4200

Email: info@somerzby.com.au

Customer Service Office Hours

Monday – Thursday: 9:00am – 4:30pm

Friday: 9:00am – 4:00pm

Saturday & Sunday: Closed

Public holidays: Closed

www.somerzby.com.au

#somerzby

