

# **DELUXE DOUBLE ASSEMBLY GUIDE**



## Welcome!

Congratulations on becoming an owner of a premium Somerzby product! We hope it brings you and your pet/s many years of enjoyment and contentment.

When your flat pack arrives, please check all items for any damage that might have occurred in transit.



02 4340 4200

[info@somerby.com.au](mailto:info@somerby.com.au)

## What you will need




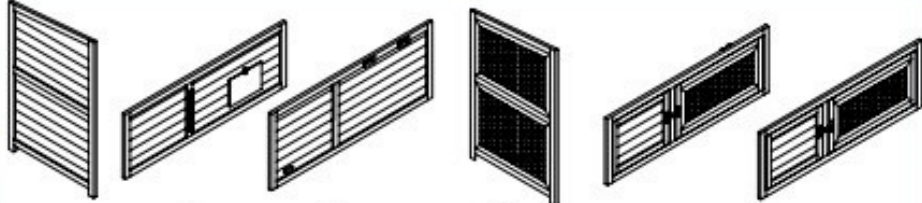
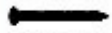


You'll need a battery-powered screwdriver or drill with a Phillips head bit, as well as a flat, level surface to ensure proper alignment of all doors during assembly.

## Important Things To Note



- The instructions and screws can be found in carton #1.
- A strong smell may be present when opening. This is the natural timber scent and is not harmful to humans or animals. It will fade over time, especially when placed outdoors.
- When joining two panels, the 1st panel has a guide hole to show where the screw goes. The 2nd panel does not have a predrilled hole. The screw goes directly into the solid timber and forms a tighter join.
- You may notice a shiny or powdery residue on the panels; this is crystallised sap from the natural wood-drying process. It's completely safe for pets and people and can be wiped off or left as is.

## Check list

<p><b>P1</b></p>  <p><b>3.5×40</b></p>	<p><b>16pcs+1 spare</b></p>	 <p> <span style="margin-right: 20px;">Ⓐ X1</span> <span style="margin-right: 20px;">Ⓑ X1</span> <span style="margin-right: 20px;">Ⓒ X1</span> <span style="margin-right: 20px;">Ⓓ X1</span> <span style="margin-right: 20px;">Ⓔ X1</span> <span>Ⓕ X1</span> </p>
<p><b>P2</b></p>  <p><b>3×14</b></p>	<p><b>18pcs+1 spare</b></p>	
<p><b>P3</b></p>  <p><b>2pcs</b></p>		
		 <p> <span style="margin-right: 20px;">Ⓖ X2</span> <span style="margin-right: 20px;">Ⓗ X1</span> <span style="margin-right: 20px;">Ⓘ X1</span> <span style="margin-right: 20px;">Ⓣ X1</span> <span style="margin-right: 20px;">Ⓚ X1</span> <span>Ⓛ X1</span> </p>

## How to Assemble the Deluxe Double Step I

### PARTS

#### Parts required for step 1

A, B, C, D

#### Screws:

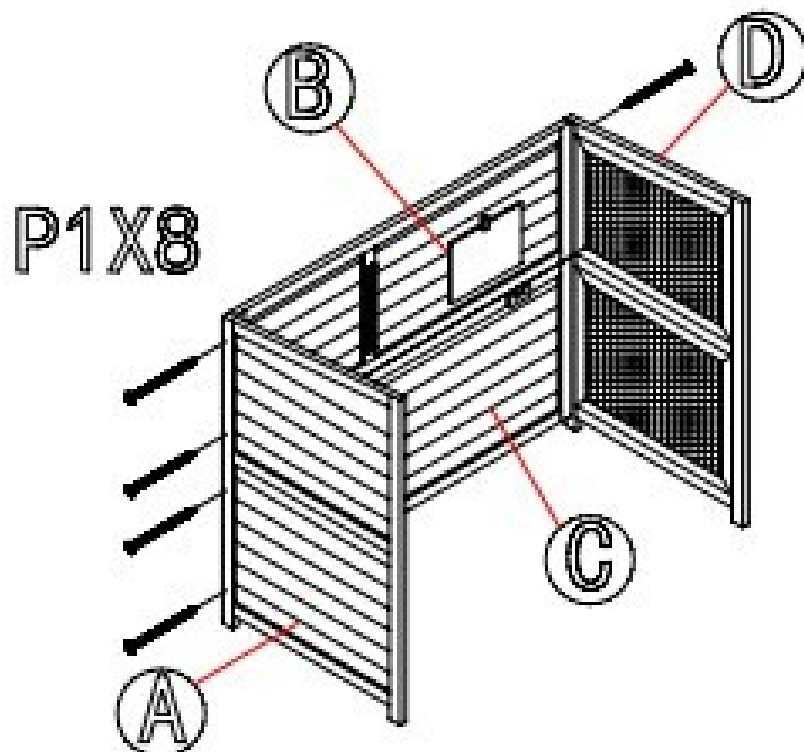
P1 x 8

#### Attach A to B and C

Place panel B on top of panel C as shown. Locate the pre-drilled holes on panel A and align with panel B and C. Attach with P1 x 4.

#### Attach D to C and B

Locate the predrilled holes on panel D. Align with back panel B & C. Ensure the stapled wire side faces in. Attach with P1 x 4.



STEP 1

## How to Assemble the Deluxe Double Step 2

### PARTS

Parts required for step 2

E, F

Screws:

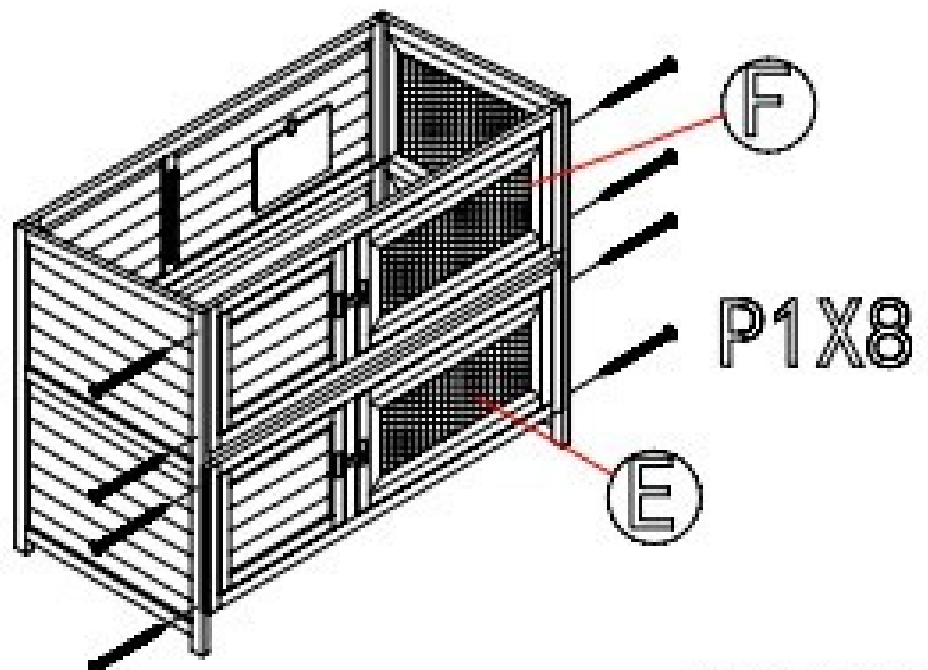
P1 x 8

### Attach Panel E

Align part E between the two sides. Use screws P1 x 4 to attach through the pre-drilled holes..

### Attach Panel F

Align part F between the two sides. Use screws P1 x 4 to attach.



STEP 2

## How to Assemble the Deluxe Double Step 3

### PARTS

#### Parts required for step 3

G x 2, H

#### Screws:

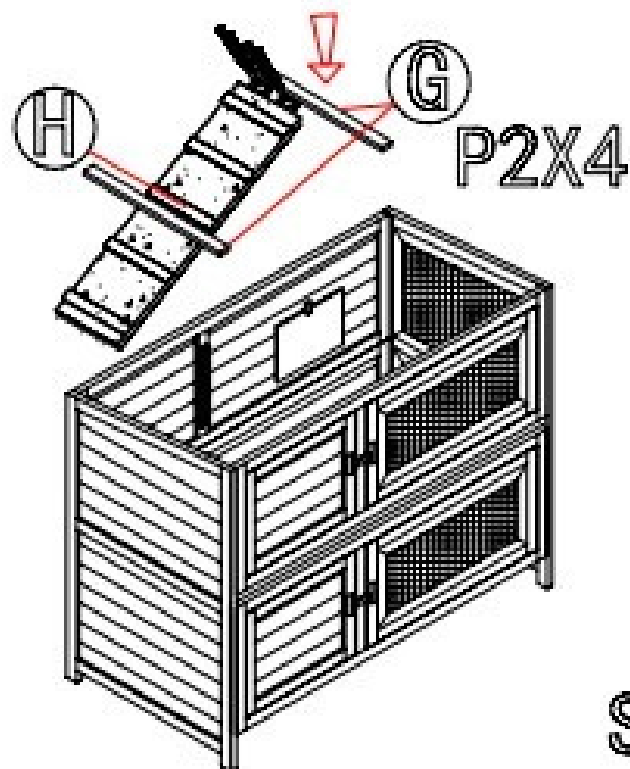
P2 x 4

#### Assemble Support Beams

Place G x 2 in the holders located on the back wall panel and front door area.

#### Attach The Ramp

Use screws P2 x 4 to attach the ramp to the support beam G as shown. Ensure it is positioned against the back wall, with the bottom section resting on the holder.



**STEP3**

## How to Assemble the Deluxe Double Step 4

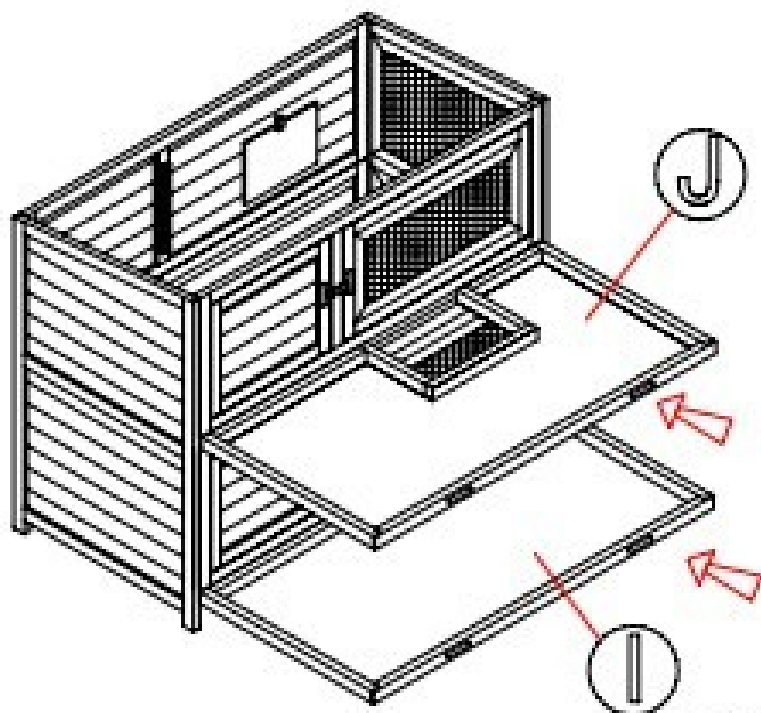
### PARTS

Parts required for step 4

I, J

#### Place The Pull Out Trays

Slide Tray J (with cut-out) through the top slot onto the top rails, followed by tray I through the bottom slot onto the bottom rails.



STEP 4

## How to Assemble the Deluxe Double Step 5

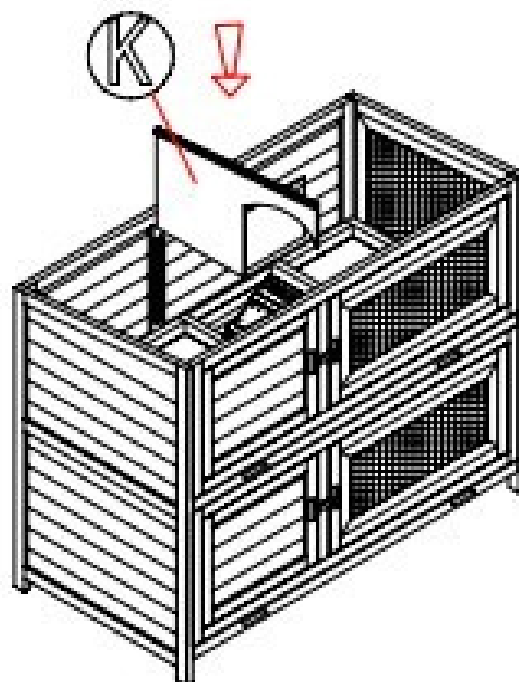
### PARTS

Parts required for step 5

K

#### Place In The Divider

Slide panel 'K' in the vertical guide rails as shown.



**STEP5**

## How to Assemble the Deluxe Double Step FINISH

### PARTS

#### Parts required for step Finish

L, P3 x 2

#### Screws:

P2 x 14

### Attach The Roof

Align roof panel L evenly over the assembled enclosure. Use screws P2 x 6 to attach the back hinges.

### Attach The Arm Hinges

Locate the left and right hinges. Make sure the thick central joint is facing toward the inside of the hutch.

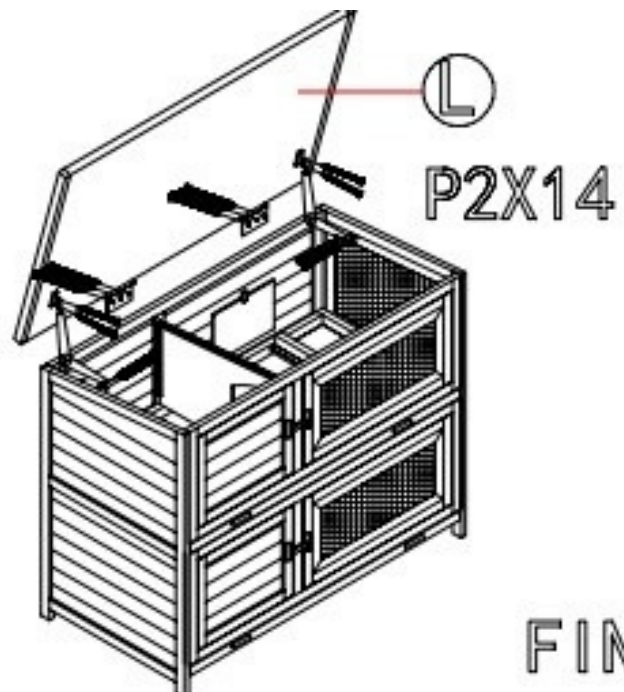
Position the flat end of the hinge with the plywood block on the roof. Use screws P2 x 2 to attach.

Position the other end so it sits flush against the side wall of the hutch.

Use screws P2 x 2 to attach.

Repeat this step on the opposite side.

**\*\*Always ensure the hinges are unlocked in the middle joint before closing the roof to prevent damage.\*\***



**FINISH**



## FAQ

Frequently asked questions

### Contact Information

Phone: 02 4340 4200

Email: [info@somerzby.com.au](mailto:info@somerzby.com.au)

### Customer Service Office Hours

Monday – Thursday: 9:00am – 4:30pm

Friday: 9:00am – 4:00pm

Saturday & Sunday: Closed

Public holidays: Closed

[www.somerzby.com.au](http://www.somerzby.com.au)

**#somerzby**

